

# ECO TELEHANDLER 2.6T



**GGR**  
GROUP

**E626**  
FULL ELECTRIC

**FARESIN**

# ECO TELEHANDLER 2.6T

A COMPLETE TECHNOLOGICAL INNOVATION

The Eco Telehandler 2.6t from Faresin is an environmentally friendly option for single-shift or multi-shift materials handling operations. Offering the same performance as an equivalent conventional telehandler model but without the noise of a combustion engine, the Eco Telehandler 2.6t operates with zero CO2 emissions and is a pioneer within the materials handling equipment industry.

With a lifting capacity of 2.6t, this innovative, eco-friendly telehandler is powered by a lithium battery, lending itself to a range of benefits including reduced charging times and notable savings in maintenance and running costs compared to combustion engine equipment. The standard 300Ah battery has a battery life of up to 6 hours (depending on use) and a recharge time of 3h 45mins using the standard external three-phase charger. This can be reduced to 1.5h by using the optional external fast charger.\*

Unlike the standard wet cell batteries, lithium batteries can be opportunity charged without any damage or life reduction to the battery. The fast charging system means the batteries can be topped up at break times or at convenient intervals throughout the day, minimising downtime. Conventional charging (110/240v) can also be used to effect when the materials handling equipment is not in use.

With zero CO2 emissions the Eco Telehandler 2.6t is ideal for use in closed or environmentally sensitive environments and serve a wide range of industries such as warehousing, logistics, manufacturing, recycling and cold storage. Featuring all-wheel drive. 4 wheel steering options and heated cab the eco telehandler is very practical and can also be used in construction, agriculture, civils, forestry and infrastructure-based applications – a viable solution in today's environmentally focused market.

## ZERO EMISSIONS AND REDUCED NOISE



### GREEN TECHNOLOGY

Thanks to the Eco Telehandlers electric drive unit, the CO2 emissions can be considered zero.



### SILENT AND EFFECTIVE

The same performance as a conventional telescopic handler without the noise of a combustion engine.



### ECONOMICAL

Simple and cheap maintenance when compared to that of traditional combustion engine equipment.



### 3 TYPES OF RECHARGING

Use fast charging to opportunity charge during the work cycle, classic charging overnight or the on-board single phase charger as required.



### FIELDS OF USE

The Eco Telehandler 2.6t electric telescopic handler is suitable for any type of application where the use of a combustion engine would be restricted.



### BUILDING AND INFRASTRUCTURE

- Historical centres
- Highways
- Indoors (Fairs, events)
- Rental



### AGRICULTURE AND WAREHOUSING

- Farming
- Greenhouses/nurseries
- Cold storage
- Logistics

# ECO TELEHANDLER 2.6T

## TECHNICAL DETAILS

### MOTOR

Travel drive motor - S2 (60')	15 kW
Lifting motor - S3 (70%)	10 kW
Emissions	zero emissions

### STANDARD BATTERY (300 Ah)

Lithium battery	80 V	
Rated capacity	300 Ah	
Charging time (standard on-board single phase charger)	0-80%	12 h
	0-100%	15 h
Charging time (standard external three phase charger)	0-80%	3 h
	0-100%	3 h 45 min
Charging time (optional external three phase fast charger)	0-80%	1 h
	0-100%	1.5 h
Running time under normal activities, continuous operations*	up to 3 h	
Running time under normal activities, interrupted operations*	up to 6 h	

### OPTIONAL BATTERY (400 Ah)

Lithium battery	80 V	
Rated capacity	400 Ah	
Charging time (standard on-board single phase charger)	0-80%	12 h
	0-100%	20 h
Charging time (standard external three phase charger)	0-80%	4 h
	0-100%	5 h
Charging time (optional external three phase fast charger)	0-80%	1 h 40 min
	0-100%	2 h
Running time under normal activities, continuous operations*	up to 4 h	
Running time under normal activities, interrupted operations*	up to 8 h	

### BATTERY CHARGER

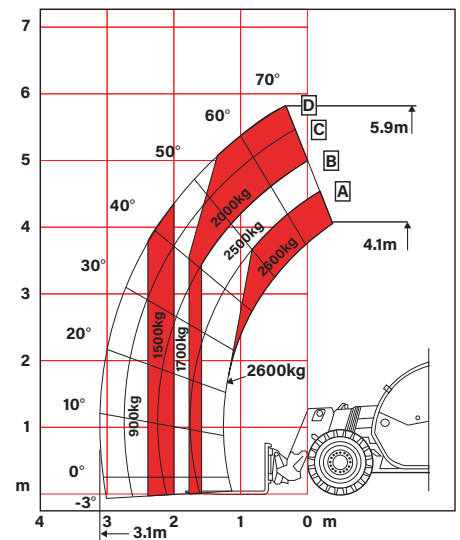
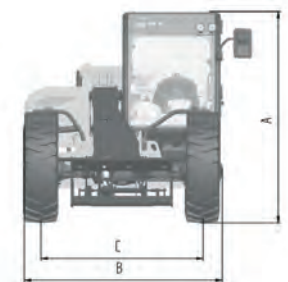
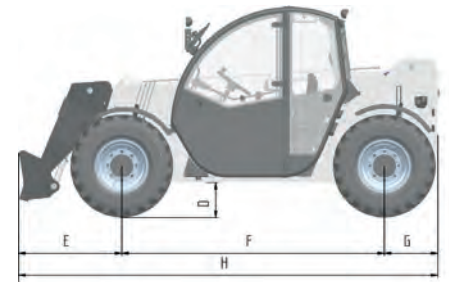
On-board battery charger (standard)	single phase 110/240v
External battery charger (standard)	three phase 400v
External battery charger - fast (optional)	three phase 400v

### VEHICLE DATA

Weight	4800 kg
Weight capacity	2600 kg
Speed	0-12 km/h
Traction drive	all-wheels via universal joint shaft
Steering	all-wheels
Electrical system	12 V
Flow rate hydraulic services	80 l/min @ 230 bar
Steering radius	3.25 m
Wheels	12-16.5

### DIMENSIONS

Height	1935 mm
Width	1890 mm
Pitch	2525 mm
Length	4198 mm
Cab width	960 mm
Clearance from ground	220 mm



# ECO TELEHANDLER 2.6T

IDEAL FOR ECO-FRIENDLY SITE REQUIREMENTS



**BATTERY LIFE UP TO 6 HOURS\***



**GREEN TECHNOLOGY**



**RECHARGE TIME:  
3HRS 45MINS (STANDARD)\*\*  
1.5 HOURS (OPTIONAL FAST)\*\*\***



**ZERO EMISSIONS**



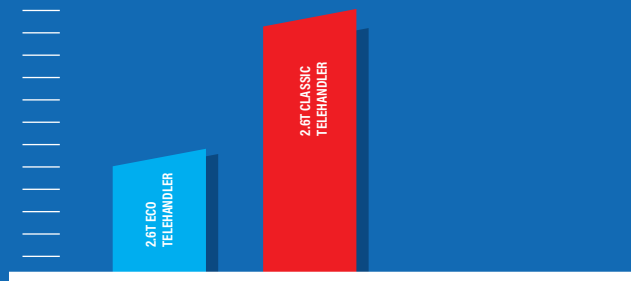
**REDUCED NOISE**



**100% ELECTRIC**

## REDUCED MAINTENANCE COSTS

COMPARED TO THE CLASSIC 2.6T TELEHANDLER



On average, the increased purchase price is offset against savings in operation and maintenance costs after 2 years of work. Battery pack duration approximately 2000 work cycles / 4.4 years of use.

**GGR  
GROUP**

**No.1 For Lifting Solutions**

**"NOVATIONEM NON IMITARI"**

**North**

+44 (0)161 683 2580

**South**

+44 (0)1844 202 071

**Scotland**

+44 (0)1698 824 444

[www.ggrgroup.com](http://www.ggrgroup.com)

follow us on:



\* Battery life of up to 6 hours is based on a telehandler with a 300Ah battery and interrupted operations. \*\* Recharge time of 3hrs 45min is based on using the standard external three phase charger. \*\*\* 1.5 hours recharge time is based on using the optional three phase fast charger.